

ICS 93.080
R09

JT

JT/T XXXX-20XX

**Technical requirement for safety monitoring and warning system of highway
engineering construction**

XXXX-XX-XX

XXXX-XX-XX

	II
1	1
2	1
3	1
4	2
5	2
6	3
7	5
8	6
9	7
10	8
11	9
	11

GB/T 1.1 2009

1

2

GB 17859
GB/T 20271 -
JTG F90
JTG F80/1

3

3.1

safety monitoring and warning system

3.2

online monitoring

3.3

manual monitoring

3.4

on-site inspection and examination

3.5

wire transmission

3.6

wireless transmission

3.7

early-warning threshold

3.8

warning

4

4.1

4.2

JTG F80/1

4.3

- a)
- b)
- c)
- d)
- e)
- f)
- g)
- h)
- i)

4.4

4.5

- a)
- b)
- c)
- d)
- e)
- f)
- g)
- h)
- i)
- j)

4.6

GB/T 20271

5

2

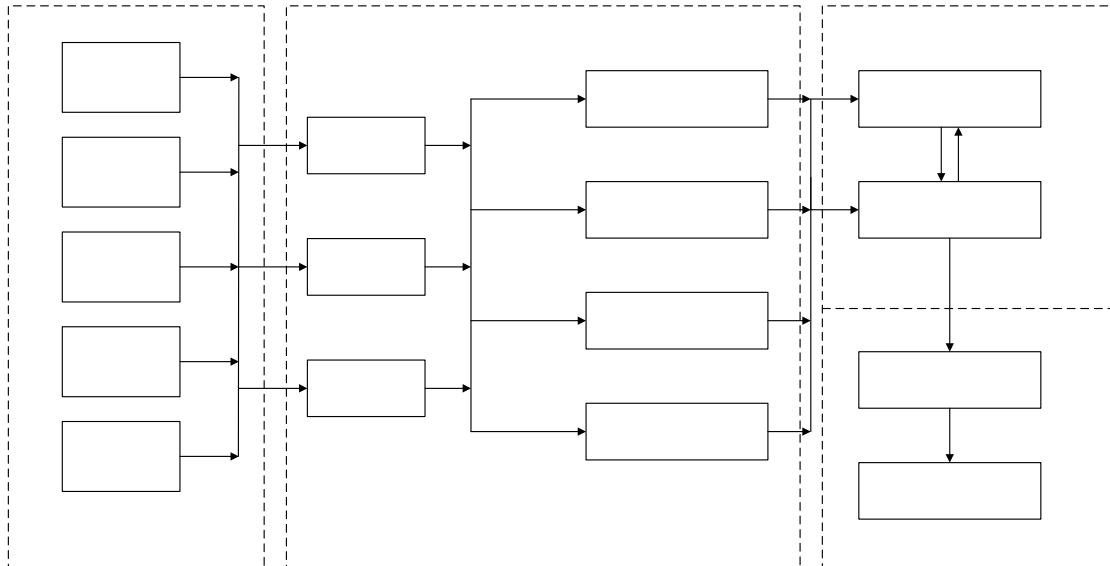
5.1

1

5.2

5.3

5.4



1

½)ß Q ‡ Ä 5 93 \$½ Ä È 0 Gy?° F õ å °1

6

6.1

6.1.1

]#{ µ é Ä #ž ue iW "œ DO Q A @;CP #2 °,|@ ÖB n• 1A CP) • ¬ † w (m)Äb ž œ «!›

d)

e)

1

6.1.7

6.2

6.2.1

6.2.2

a)

b)

c)

d)

6.2.3

a)

b)

c)

d)

e)

GPS

6.2.4

6.2.5

6.3

6.3.1

6.3.2

6.3.3

6.3.4

6.3.5

JTG F90

6.3.6

JTG F90

6.3.7

JTG F90

6.3.8

6.3.9

6.3.10

a)

b)

c)

d)

6.4

6.4.1

6.4.2

JTG F90

6.4.3

JTG F90

6.4.4

JTG F90

6.4.5

JTG F90

6.4.6

JTG F90

6.4.7

JTG F90

6.4.8

6.4.9

6.3.10

6.5

6.5.1

6.5.2

7

7.1

7.1.1

7.1.2

7.1.3

7.1.4

7.2

7.2.1

7.2.2

7.2.3

a)

b)

c)

7.2.4

7.3

7.3.1

7.3.2

7.3.3

7.3.4

7.3.5

7.3.6

7.3.7

7.3.8

8

8.1

8.1.1

8.1.2

8.1.3

8.1.4

8.1.5

8.1.6

8.2

8.2.1

8.2.2

8.2.3

8.2.4

6

8.2.5

8.3

8.3.1

8.3.2

8.3.3

8.3.4

8.3.5

a)

b)

c)

d)

8.3.6

8.3.7

8.3.8

8.3.9

8.4

8.4.1

c)

9.2.2

9.3

9.3.1

a)

b)

1

2

3

9.3.2

a)

b)

c)

d)

9.3.3

9.3.4

9.3.5

9.3.6

9.3.7

9.3.8

10

10.1

10.1.1

10.1.2

10.1.3

10.1.4

10.1.5

10.1.6

50173-93

10.2

10.2.1

10.2.2

GB

10.2.3

10.2.4

a)

b)

c)

d)

e)

f)

10.2.5

10.2.6

10.2.7

10.3

10.3.1

10.3.2

a)

b)

c)

d)

e)

10.3.3

10.3.4

11

11.1

11.1.1

11.1.2

11.1.3

11.1.4

11.2

11.2.1

11.2.2

11.2.3

11.2.4

11.2.5

11.3

11.3.1

11.3.2

11.3.3

11.3.4

3

- [1] GB 50982-2014
- [2] JT/T 1037-2016
- [3] CJJ/T 278-2017
- [4] JGJ/T 434-2018
- [5] GB 51108-2015
- [6] GB 50173-93
- [7] GB/T 13861-2009
- [8]

2019 66

